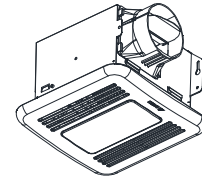


## INSTALLATION AND OPERATING INSTRUCTIONS VENTILATION FAN / DIMMABLE LED LIGHT



### READ AND SAVE THESE INSTRUCTIONS GENERAL SAFETY INFORMATION

1. Make sure that the electric service supply voltage is AC 120V, 60Hz.
2. Follow all local electrical and safety codes, as well as the Nation Electrical Code (NEC) and the Occupation Safety and Healthy Act (OSH Act).
3. Always disconnect the power source before working on or near the ventilating fan, motor or junction box.
4. Protect the power cord from sharp edges, oil, grease, hot surfaces, chemicals or other objects.
5. Do not kink the power cord.
6. Do not install the unit where ducts are configured as shown in Fig. A.
7. Provide suction parts with proper ventilation.
8. This unit is UL listed for use over a bathtub or shower when installed in a GFCI protected branch circuit.
8. Do not use this unit with any other solid-state control devices. Solid-state control devices may cause harmonic distortion, which can cause a motor humming noise. (Avertissement: ne convient pas à des régulateurs de vitesse à semi-conducteurs).
9. NEVER place a switch where it can be reached from a tub or shower.
10. Not to be installed in a ceiling thermally insulated to a value greater than R50. (This is required for installation in Canada only).

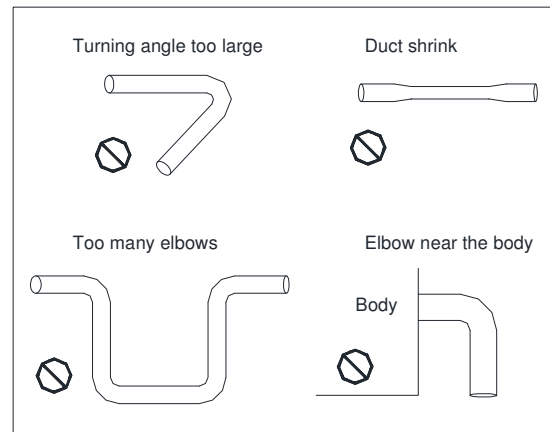


Fig. A

### WARNING

#### TO REDUCE THE RISK OF FIRE, ELECTRIC SHOCK, OR INJURY TO PERSONS, OBSERVE THE FOLLOWING:

1. Use this unit only in the manner intended by the manufacturer. If you have questions, contact the manufacturer.
2. Before servicing or cleaning unit, switch power off at service panel and lock the service disconnecting means to prevent power from being switched on accidentally. When the service disconnecting means cannot be locked, securely fasten a prominent warning device, such as a tag, to the service panel.
3. Installation work and electrical wiring must be done by qualified person(s) in accordance with all applicable codes and standards, including fire-rated construction.
4. Sufficient air is needed for proper combustion and exhausting of gases through the flue (chimney) of fuel burning equipment to prevent back drafting. Follow the heating equipment manufacturer's guideline and safety standards such as those published by the National Fire Protection Association (NFPA), and the American Society of Heating, Refrigerating and Air-Conditioning Engineers (ASHRAE), and the local code authorities.
5. When cutting or drilling into wall or ceiling, do not damage electrical wiring and other hidden utilities.
6. Ducted fans must always be vented to the outdoors.
7. If this unit is to be installed over a tub or shower, it must be marked as appropriate for the application and be connected to a GFCI (Ground Fault Circuit Interrupter) – protected branch circuit.

### CAUTION

1. For General Ventilating Use Only. Do Not Use To Exhaust Hazardous Or Explosive Materials And Vapors.
2. Not for use in cooking areas. (Fig. B)
3. This product must properly connect to the grounding conductor of the supply circuit.
4. To reduce the risk of injury to persons, install the fan at least 8.2 feet (2.5m) above the floor.

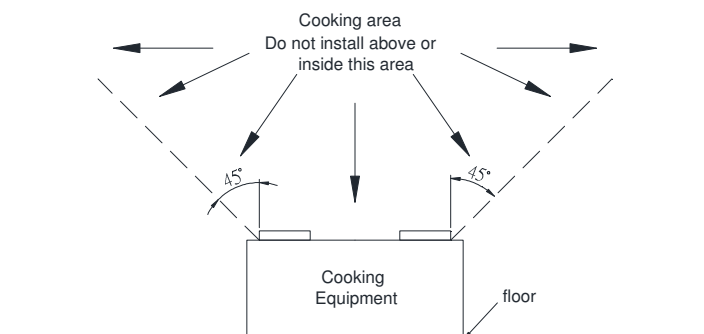


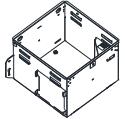

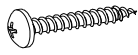




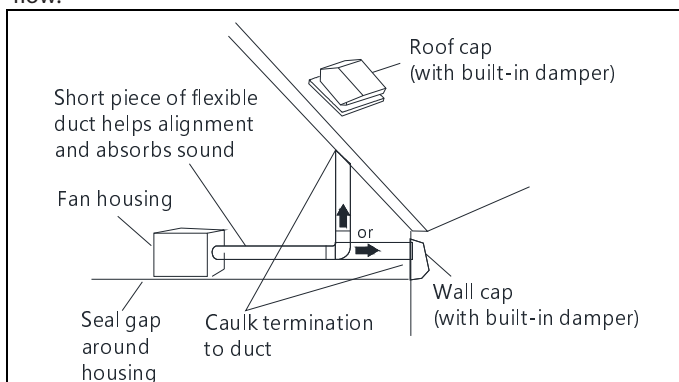
Fig. B

## SUPPLIED ACCESSORIES

Part name	Appearance	Quantity
Grille		1
Fan		1
Housing		1
Duct Connector (4")		1
Long Wood Screw (ø4x25)		8
Machine Screw (#8-32x5/16")		4
Suspension Bracket		4

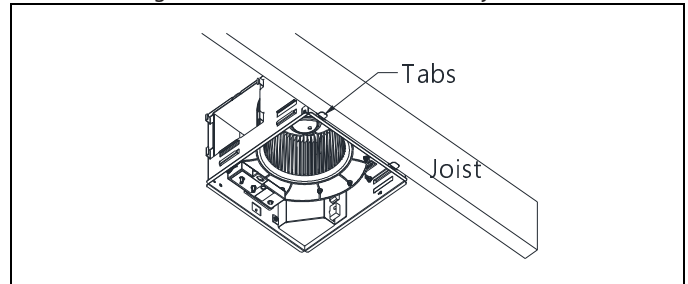
## INSTALLATIONS

Proper insulation around the fan to minimize building heat loss and gain. 4" circular duct is recommended for installation. The ducting from this fan to the outside of the building has a strong effect on the air flow, noise and energy use of the fan. Use the shortest, straightest duct routing possible for best performance, and avoid installing the fan with smaller ducts than recommended. Insulation around the ducts can reduce energy loss and inhibit mold growth. Fans installed with existing ducts may not achieve their rated air flow.

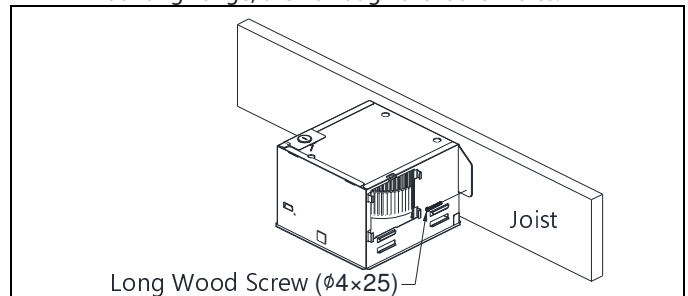


## MOUNT HOUSING WITH FLANGE:

1. To bend the housing tabs out to 90 degree and make housing tabs contact the bottom of the joist.

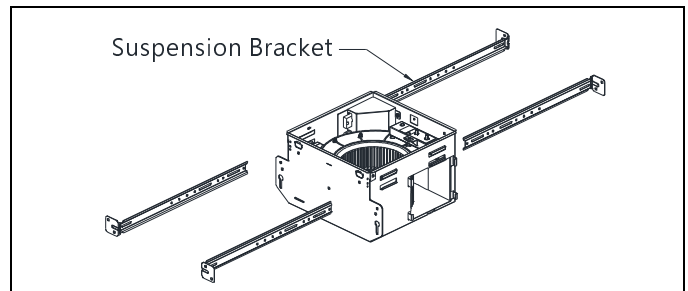


2. The housing mounts with 4 long wood screw (ø4x25). Screw housing to joist through lowest holes in each mounting flange, then through the other holes.

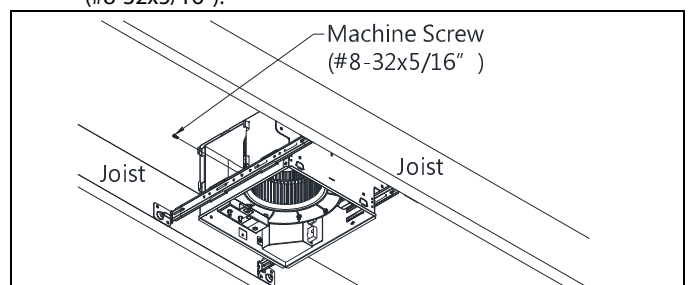


## USING SUSPENSION BRACKETS

3. Sliding suspension brackets available to allow for your specific positioning of housing anywhere between joists and span up to 24".

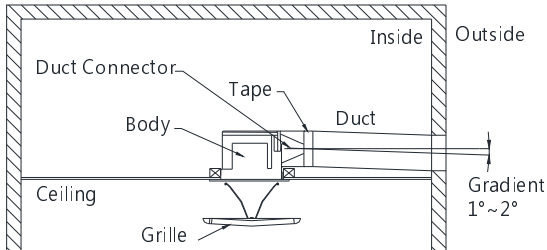


4. Extend suspension brackets to the width of the joists. Make sure the fan body is level and perpendicular with the joist.
5. Secure suspension brackets to joists with long wood screw (ø4x25).
6. Secure suspension brackets together with machine screw (#8-32x5/16").



## DUCT CONNECTION

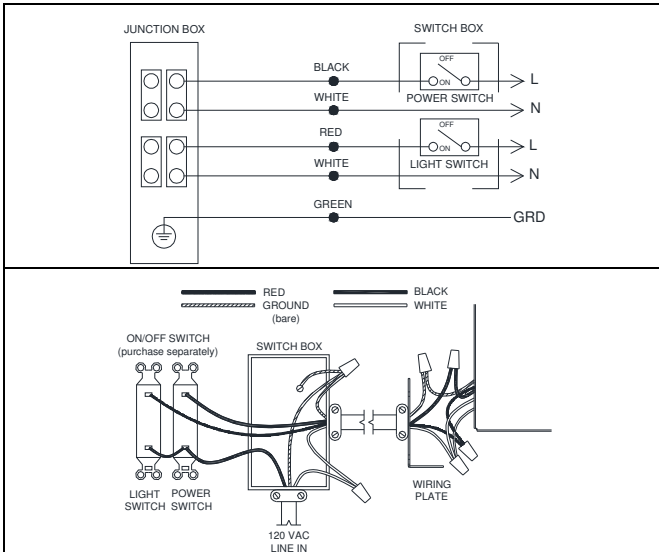
1. Insert the duct into the duct connector and tape all ductwork connections to make them secure and air tight.
2. Install the duct with a gradient  $1^{\circ}\sim 2^{\circ}$  to the outside.



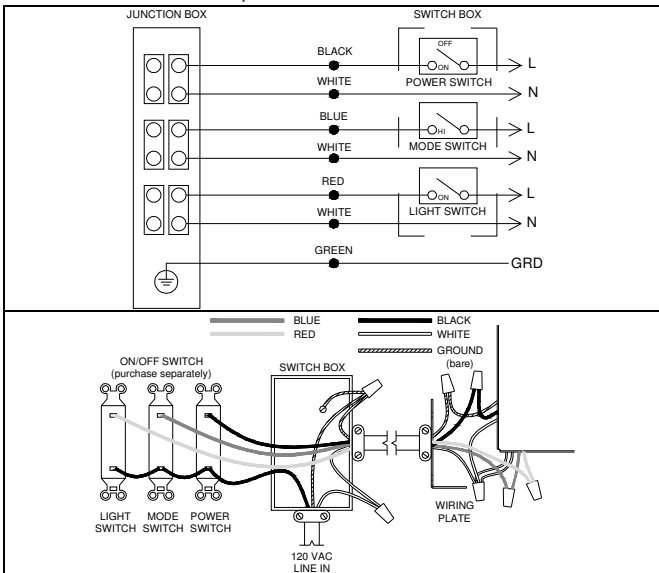
## CONNECT WIRING

1. Follow all local electrical and safety codes, ANSI/NFPA70.
2. NEVER place a switch where it can be reached from a tub or shower.
3. Connect wires as shown in wiring diagrams.

For Models: GBR80LED, GBR80MHLED, GBR100LED



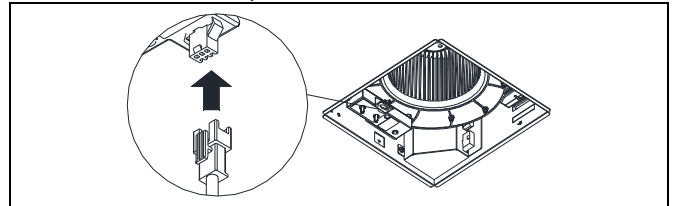
For Models: GBR80HLED, GBR100HLED



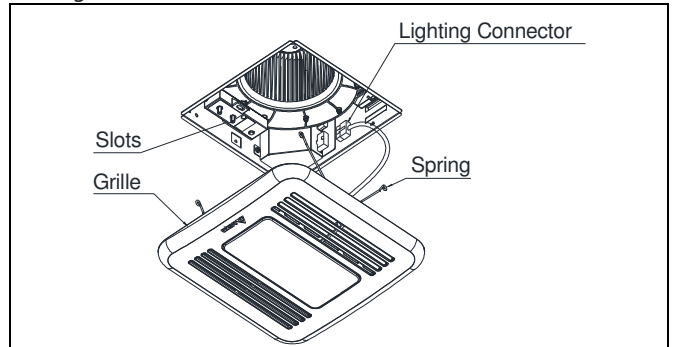
4. Using wire nuts (not provided), connect house power cable to ventilating fan.
5. 14 AWG (2.1 mm<sup>2</sup>) is the smallest conductor that shall be used for branch-circuit wiring.

## GRILLE ATTACHMENT & TEST RUN

1. Insert the LED lighting connector into the power socket of main body as below shown.
2. Insert the motion plug connector into the housing. (for GBR80MHLED only)



3. Insert the mounting springs into the slots and mount the grille to the fan unit.

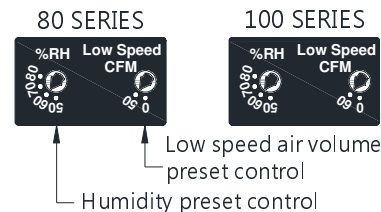


4. When the power on, check for abnormal vibration or sound.

## OPERATION

1. For Single Speed Models: GBR80LED, GBR100LED
  - 1-1. Turn on the power switch to operate ON or OFF, and LED indicator is green.
2. For Humidity models: GBR80HLED, GBR80MHLED, GBR100HLED
 

Humidity tolerance is about  $\pm 10\%$ . Long-time operation will influence the detecting precision as dust accumulates. The humidity switch may need to be adjusted.

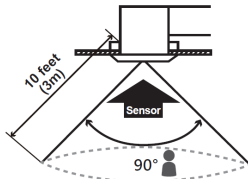


- 2-1. Humidity control mode: Turn the POWER switch on to operate at humidity control mode - the LED indicator will be blue. When the ambient humidity is higher than the user-adjustable set-point, the fan will run at full speed. When the ambient humidity is lower than the set-point, the fan will continue to run at the full speed until a 10-minute time delay has elapsed, and then will automatically change to the user-adjustable low speed airflow.

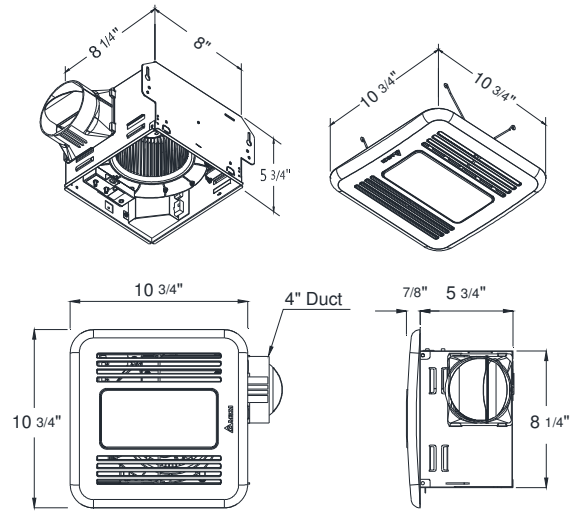
2-2. Full speed mode: Turn the MODE switch on to operate at full speed mode - the LED indicator will be amber.  
(for GBR80HLED and GBR100HLED only)

2-3. When motion is detected, the fan will run at full speed and the LED indicator will be amber. When motion is not detected, the fan will continue to run at the full speed until a 10-minute time delay has elapsed, and then will automatically change to the user-adjustable low speed airflow. (for GBR80MHLED only)

\*Motion sensor detectable range:  
The distance that motion can be detected is limited to 10 feet (3m).  
The field of view of the sensor is 90°. (Room temperature is 25°C)



## DIMENSIONS



## WARRANTY

### DELTA ELECTRONICS THREE YEAR LIMITED WARRANTY

Delta Electronics Inc. ("Delta Electronics") warrants to the original consumer purchaser in the USA and Canada that the Breez ventilation fan products will be free from defects in material or workmanship. This warranty is limited to three (3) years from the original date of purchase.

#### Limitations and Exclusions

- During the warranty period, a replacement for any defective product will be supplied free of charge for installation by the consumer. The warranty provided herein does not cover charges for labor or other costs incurred in the troubleshooting, repair, removal, and installation service.
- All returns of defective parts or products must include the product model number, and must be made through an authorized Delta Electronics distributor. Authorized returns must be shipped prepaid. Repaired or replacement products will be shipped by Delta Electronics F.O.B. shipping point.
- Delta Electronics shall not be liable for any indirect, incidental, consequential, punitive, or special damages arising out of or in connection with products use or performance, regardless of the form of action whether in contract, tort (including negligence), strict product liability or otherwise.
- This warranty does not extend to fluorescent lamp starters and tubes.
- The warranty does not cover if user does not comply with manufacture's installation manual.
- To qualify for warranty service, you must notify Delta Electronics at the address or telephone number below.
- Delta Electronics shall have no liability to the original owner-user with respect to any defect caused by abuse, misuse, neglect, improper transportation or storage, improper testing, improper installation, improper operation, improper use, improper maintenance, improper repair, improper alteration, improper modification, tampering or accident of products or parts thereof, or unusual deterioration or degradation of products or parts thereof due to a physical environment beyond the requirements of products' specifications.

Address: 46101 Fremont Boulevard, Fremont, CA 94538  
 US Toll-Free Number:  
 1-888-979-9889 - Technical Support  
 1-877-685-4384 - Customer Sales Support

## MAINTENANCE

### WARNING:

Disconnect power source before working on unit. Routine maintenance must be done every year.

### CAUTION:

- Never use gasoline, benzene, thinner or any other such chemicals for cleaning the ventilating fan.
- Do not allow water to enter motor.
- Do not soak resin parts in water over 140°F (60°C).

### CLEANING :

- Wash and clean grille. CAUTION: Do not let water into the lamp base. (Use non-abrasive kitchen detergent, wipe dry with a new cloth.)
- Using a cloth dampened with non-abrasive kitchen detergent, remove dust and dirt from ventilating fan. Wipe dry with new cloth.
- Replace grille.

## SPECIFICATIONS – FAN

Model No.	Voltage (V)	Frequency (Hz)	Weight (lb.)	Power Max. (W)	Power @0.1SP (W)	Air Flow @0.1SP (W)	Remark
GBR80HLED, GBR80MHLED	120	60	6.1	13	11.0	80	Full speed
					4.4	50	Low speed
6.0			13	11.0	80	Single speed	
				6.3	14	13.6	100
4.8	60	Low speed					
GBR100LED			6.2	14	13.6	100	Single speed

Note: Design and specifications subject to change without notice.

## SPECIFICATIONS – LED LIGHT

ITEM	SPEC
VOLTAGE (V)	120
FREQUENCY (Hz)	60
POWER CONSUMPTION (W)	13
LUMINOUS FLUX (Lumen)	850
CORRELATED COLOR TEMPERATURE (Kelvin)	3000
DIMMABLE	YES
FCC QUALIFIED	YES
ENERGY STAR QUALIFIED	YES
ROHS QUALIFIED	YES
SAFETY CERTIFICATIONS	UL/cUL